

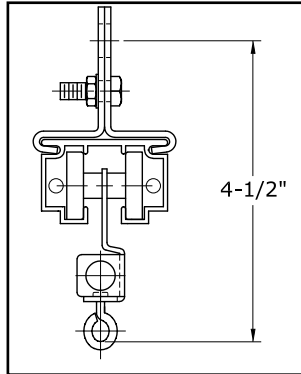


TRAK-EZE® 220 SERIES CURTAIN TRACKS

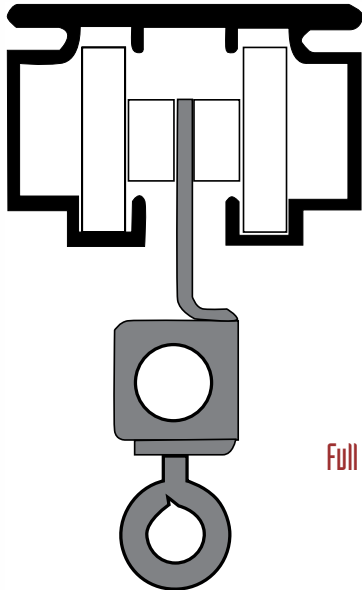
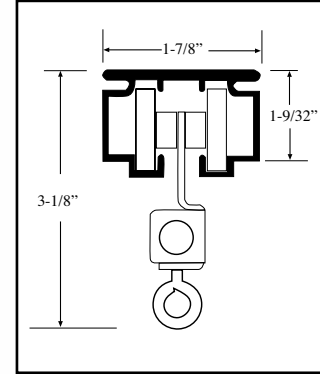
Model 220 - Trak-Eze® Assembly



Cross Section of 220 Track Suspended
(Recommended pocket width - 6")



Cross Section of 220 Track Ceiling Mount
(Recommended pocket width - 6")



Full Size End View



No. 2200 Track

1' - 8 oz.

16 gauge extruded aluminum, clear anodized finish. Obtainable in unspliced lengths up to 26'. Holes provided on 16" centers on top of the channel for direct ceiling attachment.

Approximately: 1-7/8" wide x 1-1/4" high.



No. 1701 Single Carrier

1 - 1-1/2 oz.

Block constructed of plated steel with two heavy-duty polyethylene wheels. Carrier spacing 6" on center.

Carrier width: Approximately 1-1/4".

The Model 220 Trak-Eze® track is an ideal commercial duty curtain track for straight medium weight curtains of 32 feet or less, where it is important that the cord be completely concealed in the track and that the track be mounted directly to the ceiling. The track has been designed to have a low profile and to be aesthetically appealing while still providing the strength needed for moderately sized curtains.

The track channel is designed to be mounted flush to an overhead structure, but can be equipped with Model 2208 hanging clamps which can be used to suspend the track below a suspended ceiling. The track can also be recessed into a finished ceiling. When recessed, the channel can be installed before finish spackle is applied with operating components added later. The channel is custom cut at the factory and is obtainable in unspliced lengths of up to 26'.