



		FLEX-I-TRAC® CWANA code			
		132	132-A	132-B	132-C
Single Carriers	1301	√			
	1301-A		√		
	1337			√	
	1337-A				√
Master Carrier	1352				Optional
	1302	Optional	Optional	Optional	Optional
Splice	1324	√	√	√	√
End Stop	1309	√	√	√	√

SPECIFICATIONS:

FLEX-I-TRAC® Model 132 Curtain Tracks (Walk-Along Track System)

Curtain tracks (Model 1300) shall be of 13 gauge extruded aluminum I-Beam construction consisting of a center rib and top, intermediate and bottom flanges. Each curtain carrier (**Model 1301**) shall be spaced on 12" centers and shall be of stiff wire construction supported from two self-lubricating nylon wheels rolling on two parallel treads. Track shall be rigidly supported from ceiling clamps (**Model 1423**) or hanging clamps (**Model 1308**). This model track system is for walk-along operation only and does not include pulleys or other operating hardware. 1-1/4" I.D. stiffening pipe or the equivalent shall be used to support both straight and curved areas of all suspended curved tracks.

Model 132 as manufactured by Automatic Devices Company of Allentown, PA.

FLEX-I-TRAC® Model 132-A Curtain Tracks (Walk-Along Track System)

Curtain tracks (Model 1300) shall be of 13 gauge extruded aluminum I-Beam construction consisting of a center rib and top, intermediate and bottom flanges. Each curtain carrier (**Model 1301-A**) shall be spaced on 12" centers and shall be supported from two self-lubricating nylon wheels rolling on two parallel treads. Track shall be rigidly supported from ceiling clamps (**Model 1423**) or hanging clamps (**Model 1308**). This model track system is for walk-along operation only and does not include pulleys or other operating hardware. 1-1/4" I.D. stiffening pipe or the equivalent shall be used to support both straight and curved areas of all suspended curved tracks.

Model 132-A as manufactured by Automatic Devices Company of Allentown, PA.

FLEX-I-TRAC® Model 132-B Curtain Tracks (Walk-Along Track System)

Curtain tracks (Model 1300) shall be of 13 gauge extruded aluminum I-Beam construction consisting of a center rib and top, intermediate and bottom flanges. Each curtain carrier (**Model 1337**) shall be spaced on 12" centers and shall be of stiff wire construction supported from two self-lubricating ball bearing nylon wheels rolling on two parallel treads. Track shall be rigidly supported from ceiling clamps (**Model 1423**) or hanging clamps (**Model 1308**). This model track system is for walk-along operation only and does not include pulleys or other operating hardware. 1-1/4" I.D. stiffening pipe or the equivalent shall be used to support both straight and curved areas of all suspended curved tracks.

Model 132-B as manufactured by Automatic Devices Company of Allentown, PA.

FLEX-I-TRAC® Model 132-C Curtain Tracks (Walk-Along Track System)

Curtain tracks (Model 1300) shall be of 13 gauge extruded aluminum I-Beam construction consisting of a center rib and top, intermediate and bottom flanges. Each curtain carrier (**Model 1337-A**) shall be spaced on 12" centers and shall be supported from two self-lubricating ball bearing nylon wheels rolling on two parallel treads. Track shall be rigidly supported from ceiling clamps (**Model 1423**) or hanging clamps (**Model 1308**). This model track system is for walk-along operation only and does not include pulleys or other operating hardware. 1-1/4" I.D. stiffening pipe or the equivalent shall be used to support both straight and curved areas of all suspended curved tracks.

Model 132-C as manufactured by Automatic Devices Company of Allentown, PA.

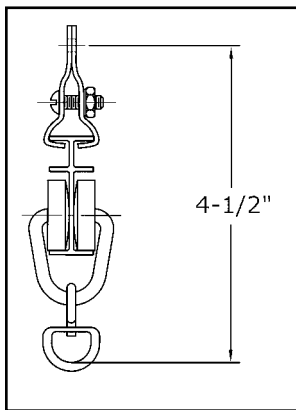


FLEX-I-TRAC® 132 SERIES CURTAIN TRACKS

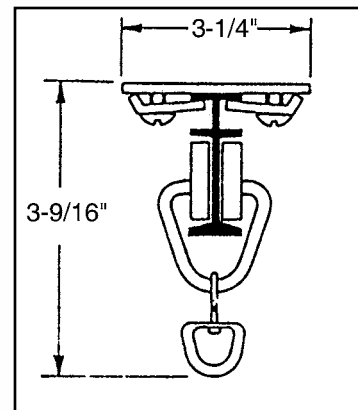


Model 132 Assembly

**Cross Section
of 132 Track Suspended**
Min. pocket width: 2 in.



**Cross Section
of 132 Track Ceiling Mount**
Min. pocket width: 4 in.



FLEX-I-TRAC® MODEL 132

FLEX-I-TRAC is a light-to-medium duty cyclorama I-beam type track designed for light to medium weight stage and TV studio curtains, hospital cubicle curtains, and for enclosing industrial welding booths. This economically priced track is supplied for "walk-along" operation only with no cord, pulleys or master carriers. The track can be curved on-the-job (or at the factory) to virtually any degree on a 2' minimum radius. The track should be solidly anchored to the ceiling with the use of ceiling clamps or suspended with a pipe backbone.

When ordering, advise whether the track is to be ceiling-mounted or suspended.

MODEL 132

Model 132 features the No. 1301 non ball-bearing nylon tired single carriers.

MODEL 132-A

Same as Model 132 except Model 132-A features the No. 1301-A non ball-bearing nylon single carriers with bumper style body.

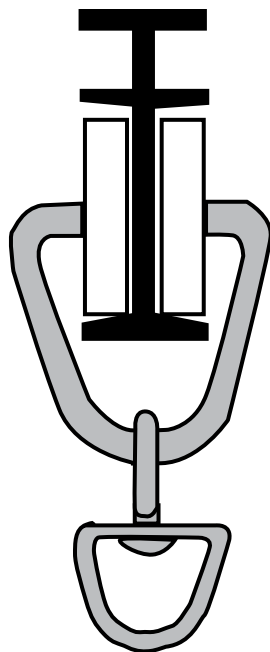
MODEL 132-B

Same as Model 132 except Model 132-B features ball-bearing equipped nylon tired single carriers.

MODEL 132-C

Same as Model 132 except Model 132-C features ball-bearing nylon tired single carriers with bumper style body.

A scaled drawing or template must accompany each inquiry or order for model 132 Flex-I-Trac® if the track is to be factory curved.



Full Size End View
(1301 carrier shown)



No. 1300 Channel

1' - 4 oz.
13 gauge extruded aluminum, mill-finish. Obtainable in unspliced lengths up to 20'. Curved on the job or at the factory (optional) to a 2' minimum radius (layout dependent). Flange above carrier prevents tilting or climbing of carrier. Approximately: 5/8" wide x 1-11/16" high.



No. 1301 Carrier

4 - 3 oz.
Carrier spacing: 12". Constructed of plated steel wire supported from 2 solid nylon wheels. Plated swivel for free, effortless curtain movement. Carrier width: Approximately 1".



No. 1337 Nylon Ball-Bearing Single Carrier

1 - 1-1/2 oz.
Carrier spacing: 12". Constructed of plated steel wire supported from 2 nylon-tired ball-bearing wheels. Plated swivel for free, effortless curtain movement. Carrier width: Approximately 1".



No. 1301-A Single Carrier

1 - 2 oz.
Carrier spacing: 12". Block constructed of plated steel supported from 2 solid nylon wheels. Plated swivel for free, effortless curtain movement. Block provides "bumper-to-bumper" action. Carrier width: Approximately 1-1/8".



No. 1337-A Nylon Ball-Bearing Single Carrier

1 - 3 oz.
Carrier spacing: 12". Steel block supported from 2 nylon-tired ball-bearing wheels. Plated swivel for free, effortless curtain movement. Block provides "bumper-to-bumper" action. Carrier width: Approximately 1-1/8".



No. 1302 Master Carrier (Optional)

1 - 12 oz.

Walk-along master carrier with overlapping arm. Body constructed of painted steel with 4 nylon-tired ball-bearing wheels. Arm provides 12" of curtain overlap per carrier. (6" in front of 6")



No. 1324 Splicing Clamp

1 - 1 oz.

For both ceiling and suspended installations. Lock plate for joining track sections assures proper alignment.

NOTE: Track can not be curved at splice.

Approximately: 4" long x 5/16" wide x 5/16" high.



No. 1308 Hanging Clamp

1 pr. - 1 oz.

Recommended spacing: 4' with additional units in curves and stack areas. Adjustable to any location. Pipe batten and pipe clamps recommended for suspended curved track systems.

Approximately: 3/4" wide x 3/4" long x 1-3/4" high.



No. 1423 Ceiling Clamp (Shown on 1400 Track)

1 - 6 oz.

Recommended spacing: 5' with additional units added at curves and in stack areas. For use on ceiling-mounted installations. Adjustable to any location. Top plate can be mounted first, and clips installed when track is lifted into place. Approximately: 3-1/4" wide x 1-1/2" long.



No. 1309 End Stop

4 - 1 oz.

Prevents carriers from moving beyond selected position in track.



No. BT-1 Bending Tool

1 - 19 lbs. 4 oz.

Approximately: 48" long x 15" wide x 9" high. For use with Models 1300, 1400 & 4200 tracks.

See page 81 for description of use.



No. BT-2 Bending Tool

1 - 4 lbs. 14 oz.

For use with Models 1300 & 1400 only. See page 81 for description of use. Approximately: 7-1/2" long x 9-1/2" wide x 3-1/2" high.



No. 1713 Pipe Clamp

1 pr. - 5 oz.

For 1" I.D. Schedule 40 pipe



No. 1714 Pipe Clamp

1 pr. - 7 oz.

For 1-1/4" I.D. Schedule 40 pipe



No. 1715 Pipe Clamp

1 pr. - 8 oz.

For 1-1/2" I.D. Schedule 40 pipe

INSTRUCTIONS FOR USING THE BT-2 BENDING TOOL

IMPORTANT NOTE: DO NOT BEND THE TRACK COMPLETELY AROUND THE BENDING TOOL SHOE. THE RADIUS OF THE SHOE IS 7" AND THE MINIMUM RADIUS FOR THE TRACK IS 24". THE TRACK MUST BE ADVANCED AS IT IS BENT ON THE TOOL.

(READ ALL OF THE FOLLOWING INSTRUCTIONS PRIOR TO CURVING THE TRACK)

1. A full scale chalk drawing of the curved portion of the track must be drawn on the floor, or work bench in order to check curving progress. The radius of this full scale drawing can be drawn using chalk attached to a wooden plank, or string, with a length equal to the radius of the required curve. Be sure to allow at least 1' of straight track at each end of the curve to assure alignment of the track.
2. Use a marker or wax pencil to mark the location of the center of the curve on the top flange of the track.
3. Place marks on the top of the track in both directions out from the center line mark in 3" increments, or a distance of 1.5 times the radius of the curve.
4. Secure the BT-2 tool to the floor, or work bench making sure that ample room exists to walk the track around the tool.
5. Slide the track into the bender and line up the FIRST mark of either end of the marked section with the apex of the tool's shoe.
6. Pull SLIGHTLY on the longest section of track coming out of the shoe. This should put a SLIGHT bend in the track, usually around 5 degrees.
7. Move the track forward or backward in the bender and align the second mark on the track with the apex of the tool's shoe. Pull SLIGHTLY on the longest section of track coming out of the shoe
8. Continue this process, repeating steps 6 and 7 until a slight bend exists at each mark unless the track is beginning to curve more that the drawn template. If this occurs the individual bends are too severe for the overall bend required and must be straightened.
9. Check the track radius against the chalk drawing by laying it on top of the chalk line.
10. In most cases the formed radius will be too large, which is desirable. Repeat steps 5 through 9 until the required curve is formed.
11. If the radius becomes too tight during this process you can remove some of the curve. **The key to bending the track correctly is to bend in small multiple steps**, checking the radius against the chalk line while you do it, avoiding curving the track too tightly.

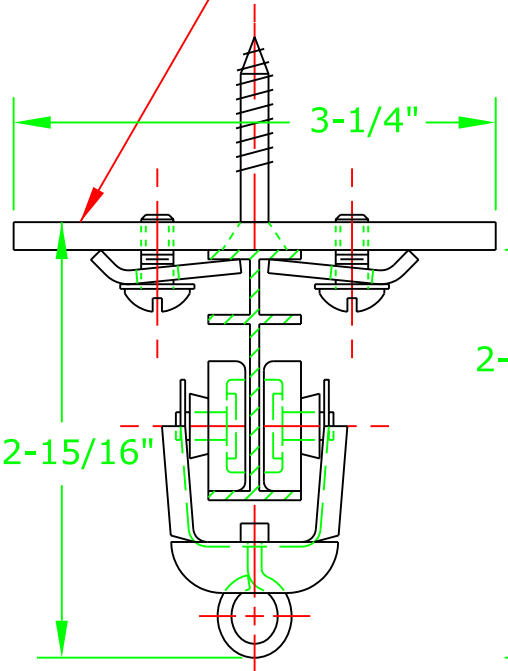
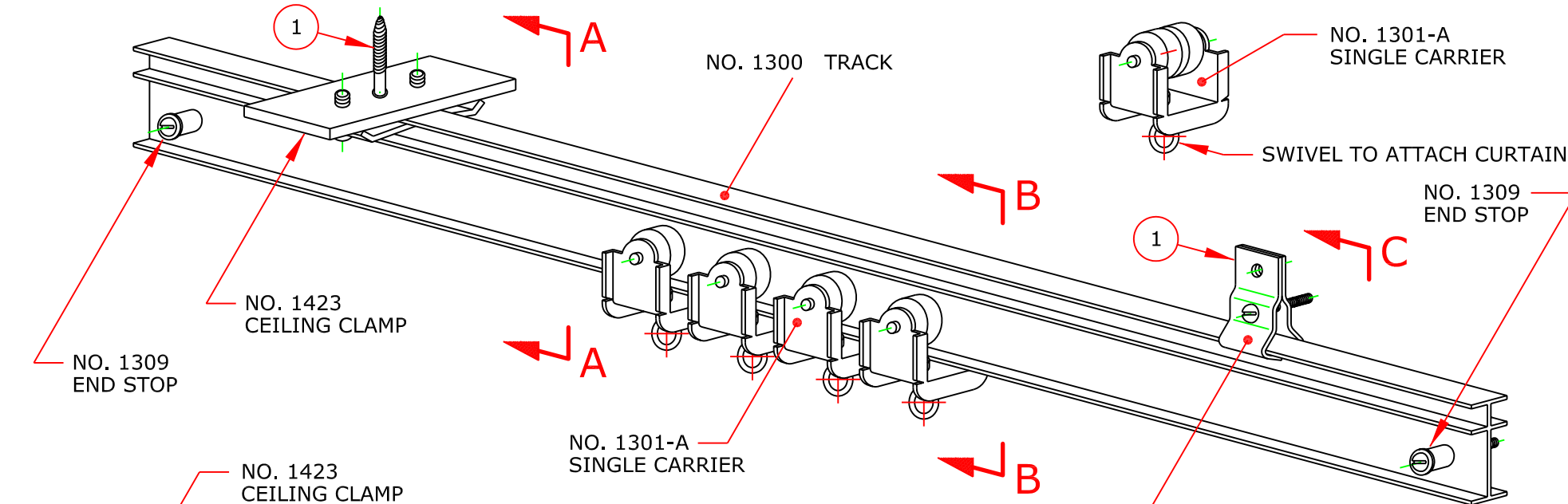
INSTALLATION INSTRUCTIONS FOR FLEX-I-TRAC MODELS 132, 132-A, 132-B, 132-C

1. If the track requires curving do so now. Follow instructions on curving track for bending tool being used.
2. If tracks need to be spliced, install the splice clamps now. Be sure to check the alignment of the tracks and the condition of the ends of the track sections. If the ends of the tracks have burrs or rough edges, remove them with a file. The sections of the Model 1324 splice clamps are positioned between the top and middle flange of the Model 1300 track.
3. Install the 1308 hanging clamps or 1423 ceiling clamps with the hardware provided. Spacing between these devices should not exceed 4 feet. Clamps should be placed on either side of each splice, each sharp curve, and along the curve of the track if the curve radius is large.
4. Lift track to its desired location and secure with appropriate hardware and suspension media if needed.
5. Install the carriers to the track by sliding them onto the bottom flange of the track.
6. Install a 1309 End Stop to each open end of track.
7. A towline or baton may be attached to the lead carrier to reduce the stress on the curtain fabric as it is operated.
8. A 1-1/4" pipe stiffener is recommended to provide support all suspended tracks, particularly curved track systems.

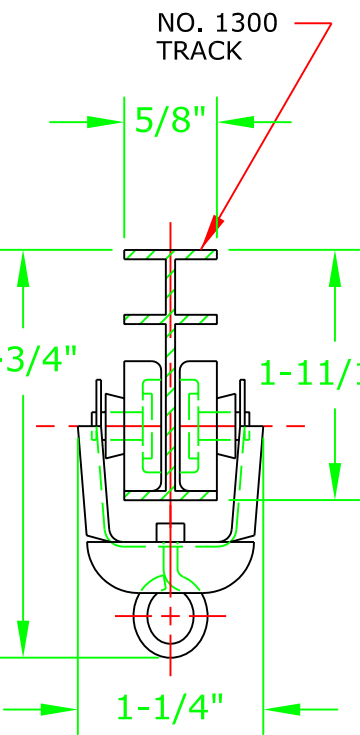
TRACK MODEL

CARRIER PROVIDED

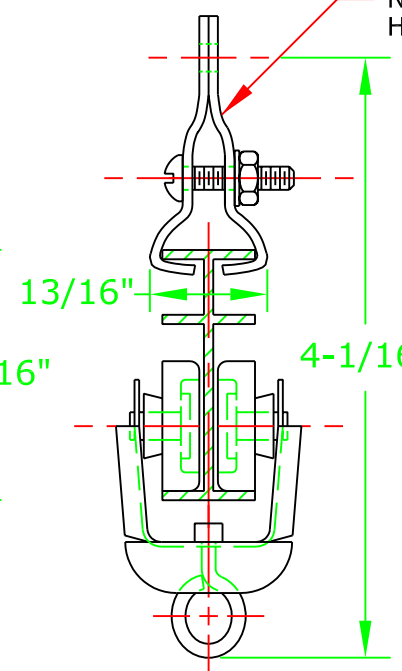
132	1301
132-A	1301-A
132-B	1337
132-C	1337-A



SECTION A-A
SCALE: 3/4"=1"



SECTION B-B
SCALE: 3/4"=1"



SECTION C-C
SCALE: 3/4"=1"

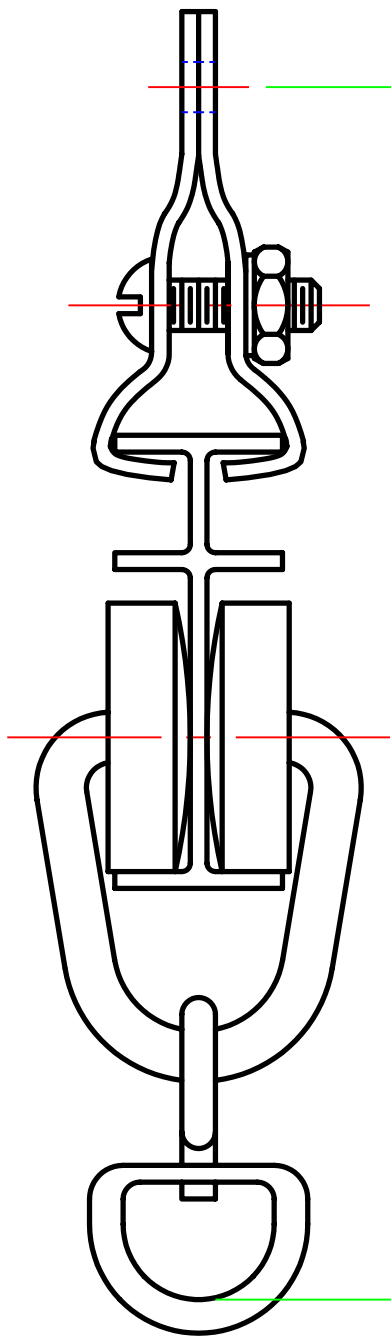
NOTES:

- 1 TRACK SYSTEM MUST BE MOUNTED DIRECTLY TO AN OVERHEAD STRUCTURE USING EITHER NO. 1423 CEILING CLAMPS OR NO. 1308 HANGING CLAMPS.

ado AUTOMATIC DEVICES COMPANY
2121 S. 12TH ST. ALLENTOWN, PA 18103

THIS DRAWING HAS BEEN PREPARED AS A SERVICE TO OUR CUSTOMER AND IS INTENDED ONLY TO BE SUGGESTIVE IN NATURE AND IS NOT TO BE USED AS AN ACTUAL INSTALLATION DRAWING. PREVAILING JOB CONDITIONS AND ACCEPTED PRACTICES MUST BE TAKEN INTO ACCOUNT WHEN THE EQUIPMENT IS INSTALLED.

SIZE A	DATE 8/13/04	SERIES MODEL 132-A
DRAWN BY JEK		DESCRIPTION INSTALLATION DRAWING
APPROVED BY		WALK-ALONG OPERATION
SCALE 3/8"=1	SHEET 1 OF 1	DWG NO. II-132AWA-1-04

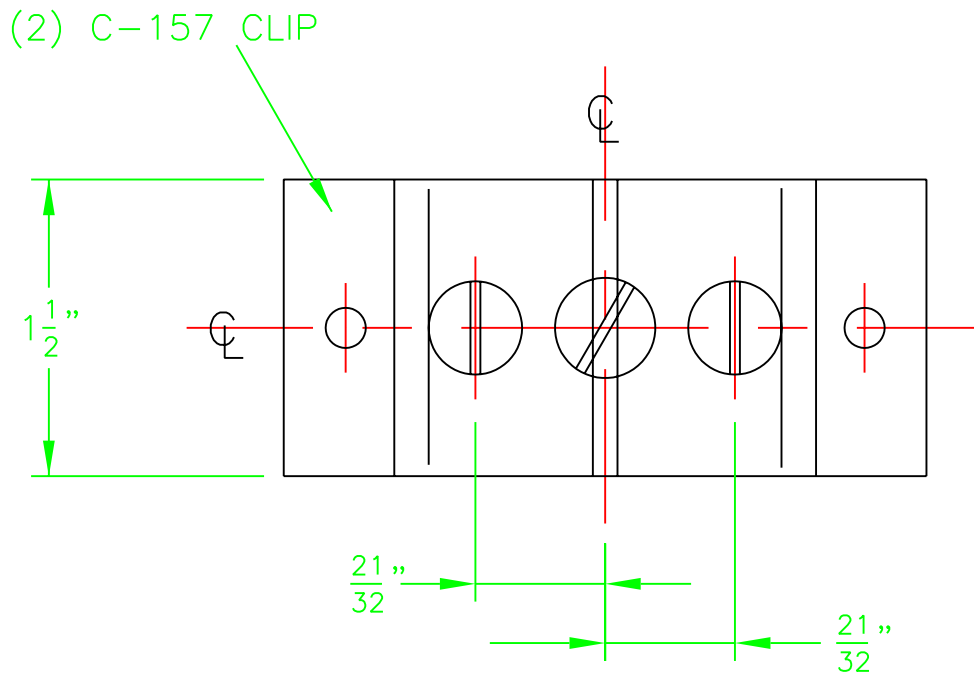
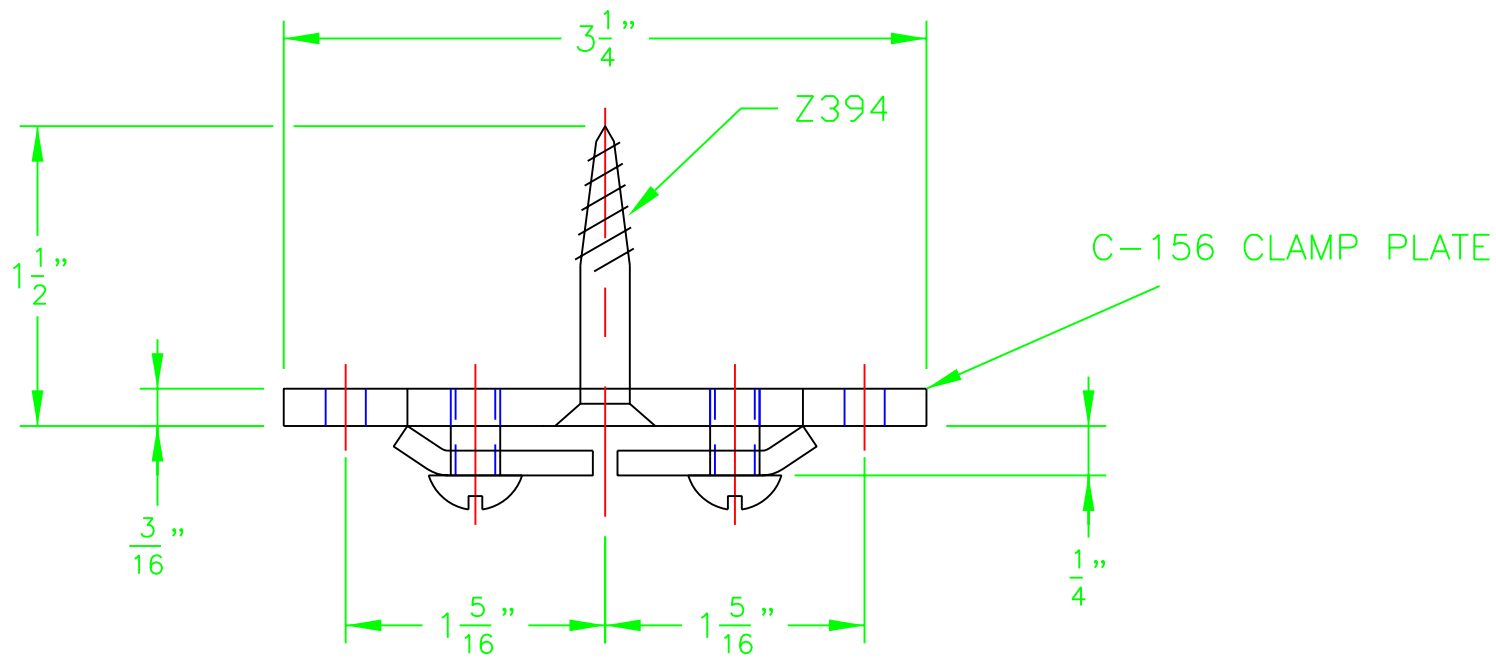


4-1/2"

ade AUTOMATIC DEVICES COMPANY
 2121 S. 12TH ST. ALLENTOWN, PA 18103

THIS DRAWING HAS BEEN PREPARED AS A SERVICE TO OUR CUSTOMER AND IS INTENDED ONLY TO BE SUGGESTIVE IN NATURE AND IS NOT TO BE USED AS AN ACTUAL INSTALLATION DRAWING. PREVAILING JOB CONDITIONS AND ACCEPTED PRACTICES MUST BE TAKEN INTO ACCOUNT WHEN THE EQUIPMENT IS INSTALLED.

SIZE A	DATE 10/24/02	SERIES 132
DRAWN BY JEK	APPROVED BY	DESCRIPTION 132 SUSPENDED
SCALE NONE	SHEET 1 OF 1	DWG. NO. CAT-132SUS-02



NOTE: ADJUSTABLE TO ANY LOCATION. TOP PLATE IS MOUNTED FIRST, THEN CHANNEL INSTALLED.

AUTOMATIC DEVICES COMPANY
2121 S. 12TH ST. ALLENTOWN, PA 18103

THIS DRAWING HAS BEEN PREPARED AS A SERVICE TO OUR CUSTOMER AND IS INTENDED ONLY TO BE SUGGESTIVE IN NATURE AND IS NOT TO BE USED AS AN ACTUAL INSTALLATION DRAWING. PREVAILING JOB CONDITIONS AND ACCEPTED PRACTICES MUST BE TAKEN INTO ACCOUNT WHEN THE EQUIPMENT IS INSTALLED.

SIZE	DATE		REV
A	06/07/93		
DRAWN BY	APPROVED BY	DESCRIPTION	1423 CEILING CLAMP DETAIL
RJM			
SCALE 1" = 1"	SHEET 1 OF 1	DWG NO.	A-1423-93