

INSTALLATION INSTRUCTIONS FOR HAND OPERATED MODELS: 170, 171-R, 171-N, 172, 260

I. SUSPENDED INSTALLATIONS

NOTE: MODEL 260 FENSTEEL TRACK IS ASSEMBLED IN THE SAME MANNER AS DESCRIBED BELOW WITH THE EXCEPTION THAT THIS MODEL DOES NOT USE A TRACK OVERLAP. THE OVERLAP IS PROVIDED BY MASTER CARRIERS WITH EXTENSION ARMS (2602).

1. Lay the two track halves on the floor with the track slot facing down and with the desired amount of center overlap. If splicing is required, it should be done at this time. Splicing instructions can be found below. Attach the two lap clamps to the tracks at the overlap.
2. Install the live-end and dead-end pulleys at the end of the tracks and secure them to the track with the hardware supplied.
3. Insert an equal amount of single carriers into each track half. The carriers can be inserted at the open track ends located at the center overlap. The master carriers are the last to be inserted. Install the eye-bolt end stops in the open track ends at the center overlap and secure.
4. Place the hanging clamps at their desired locations along the track sections and secure to the track with the hardware provided.
5. Raise the track to its permanent location, position the track and secure in place.
6. Mount the floor pulley to the floor directly under and aligned with the track live-end pulley.
7. Thread the operating cord through one sheave of the live-end pulley, through the bodies of the single carriers, the body of the master carrier and the two cord connectors which must be located inside the cavity of the master carrier body. Continue threading the cord through the eye-bolt of the end stop located at the center overlap, around the dead-end pulley, through the single carrier bodies of the second half of the track system and through one (1) half of the second master carrier, secure this end at the master carrier temporarily with a cord connector. Thread the remaining end of the operating cord through the floor pulley, up and through the remaining sheave of the live-end pulley, through the eye bolt end stop of the second half of the track system and through the second half of the second master carrier. Loosely secure this end of the operating cord to the master carrier with a cord connector.

Model 171-R is supplied with rubber spacers that are positioned between the single carriers on the operating cord. These spacers must be threaded on the operating cord between the single carriers of the track sections.

- 8 Move the master carriers an equal distance from an end of each track section. Remove the slack from the operating cord at the master carrier with the cut ends of cord and secure the cord at both masters with the cord connectors provided. Cut off the excess cord.

IMPORTANT NOTES

NEVER USE LESS THAN FIVE SUSPENSION POINTS TO SUPPORT THE TRACK SYSTEM. THE TRACK SHOULD ALWAYS BE SUPPORTED AT IT'S ENDS.

SUPPORT THE LIVE-END PULLEY TO THE OVERHEAD STRUCTURE USING THE HOLE PROVIDED ON THE PULLEY.

ONE-WAY OPERATING CURTAINS ARE INSTALLED IN THE SAME MANNER AS LISTED ABOVE WITH THE EXCEPTIONS THAT ONLY ONE MASTER CARRIER IS USED, THERE IS NO CENTER OVERLAP, AND ALL OF THE SINGLE CARRIERS ARE INSTALLED BEHIND THE SINGLE MASTER CARRIER.

II. CEILING MOUNTED INSTALLATIONS

NOTE: MODEL 260 FENSTEEL TRACK IS ASSEMBLED IN THE SAME MANNER AS THE ABOVE REFERENCED MODELS WITH THE EXCEPTION THAT THIS MODEL DOES NOT USE A TRACK OVERLAP. THE OVERLAP IS PROVIDED BY MASTER CARRIERS WITH EXTENSION ARMS (2602).

1. Hanging clamps and lap clamps are not needed or provided for ceiling mounted track systems. The top of the track channel should be drilled every 18" for direct attachment to the ceiling structure.

Because ceiling mounted tracks do not provide an opportunity for vertical adjustment, it is very important that the ceiling structure be level. Any deviation can cause the space between the bottom of the curtain and the floor surface to be uneven. Shims, or blocking may be required for this purpose.

2. Install the live-end and dead-end pulleys at the end of the tracks and secure.
3. Insert an equal amount of single carriers into each track half. The carriers can be

inserted at the open track ends. The master carriers are the last to be inserted. Install the eye-bolt end stops in the open track ends and secure with the hardware provided.

4. Raise the track to its permanent location, position the track and secure in place.
5. Mount the floor pulley to the floor directly under and aligned with the track live-end pulley.

Model 171-R is supplied with rubber spacers that are positioned between the single carriers on the operating cord. These spacers must be threaded on the operating cord as the single carriers are installed in the track sections.

6. Thread the operating cord through one sheave of the live-end pulley, through the bodies of the single carriers, the body of the master carrier and two cord connectors which must be located inside the cavity of the master carrier body. Continue threading the cord through the eye-bolt of the end stop located at the center overlap, around the dead-end pulley, and through the single carriers of the second half of the track system and through one (1) half of the second master carrier, secure this end at the master carrier temporarily with a cord connector. Thread the remaining end of the operating cord through the floor pulley, up and through the remaining sheave of the live-end pulley, through the eye bolt end stop of the second half of the track system and through the second half of the second master carrier. Loosely secure this end of the operating cord to the master carrier with a cord connector.
6. Move the master carriers an equal distance from an end of each track section. Remove the slack from the operating cord at the master carrier with the cut ends of cord and secure the cord at both masters with the cord connectors provided. Cut off the excess cord

IMPORTANT NOTE

ONE-WAY OPERATING CURTAINS ARE INSTALLED IN THE SAME MANNER AS LISTED ABOVE WITH THE EXCEPTIONS THAT ONLY ONE MASTER CARRIER IS USED, THERE IS NO CENTER OVERLAP AND ALL OF THE SINGLE CARRIERS ARE INSTALLED BEHIND THE SINGLE MASTER CARRIER.

IMPORTANT SPLICING INFORMATION

I. SUSPENDED TRACK: Place splice clamps onto track and align holes in track with those in splicing clamps. Tighten clamps in [place by means of the three 1/4" x 3/4" stove bolts . Align track by tightening the four 5/16" case hardened cap screws against the top of both track

sections. Place twelve 5/16" x 1/4" 20 stove bolts through the sides of the splice clamps and tighten into position . refer to drawing P-1724 for further assistance.

II. CEILING MOUNTED TRACK: Place splicing clamps on track and align holes in splicing clamps with factory drilled and tapped holes of the track channel. Insert twelve 1/4-20 by 5/16" long stove bolts through the holes in the side of the splice clamps and tighten securely into the tapped holes in the track channels. Refer to ADC drawing number 2624 for additional information.

INSTALLATION INSTRUCTIONS FOR MOTORIZED MODELS: 170, 171-R, 171-N, 172, 260

1. SUSPENDED INSTALLATIONS

NOTE: MODEL 260 FENSTEEL TRACK IS ASSEMBLED IN THE SAME MANNER AS DESCRIBED BELOW WITH THE EXCEPTION THAT THEI MODEL DOES NOT USE A TRACK OVERLAP. THE OVERLAP IS PROVIDED BY MASTER CARRIERS EQUIPPED WITH EXTENSION ARMS.

1. Lay the two track halves on the floor with the track slot facing down and with the amount of desired center overlap. If splicing is required, it should be done at this time. See splicing instructions below. Attach the two lap clamps to the tracks at the overlap with the hardware provided.
2. Install the live-end and dead-end pulleys at the end of the tracks and secure with the hardware supplied.
3. Insert an equal amount of single carriers into each track section. The carriers can be inserted at the open track ends located at the center overlap. The master carriers are the last to be inserted. Install the eye-bolt end stops in the open track ends at the center overlap and secure with the hardware provided.
4. Place the hanging clamps at their desired locations along the track sections. Raise the track to its permanent position and secure in place. Mount the floor pulley to the floor directly under and in line with the live-end pulley.

Model 171-R is supplied with rubber spacers that ride on the operating cord between each carrier. Be sure to incorporate them when cording the track.

5. Thread one end of the wire-center cable through one wheel of the live-end pulley, through the body of the single carriers, through the first master carrier and its cord connectors making sure to locate the cord connectors on inside the cavity of the master carrier body. Continue threading the cable through the eye-bolt of the end stop and around the dead-end pulley, through the body of the single carriers located in the other half of track, through the second master carrier and its cord connectors. Be sure to locate the cord connector in the cavity of the master carrier body. Thread the cable through the second end stop, the remaining wheel of the live-end pulley and down to the curtain machine.

6. You should have two coils of cable, of approximately the same length emanating from the live end pulley of the track. At this point refer to ADC form # **745-A** for instructions on cord attachment to the grooved cable drum.

IMPORTANT NOTES

NEVER USE LESS THAN FIVE SUSPENSION POINTS. ALWAYS PROVIDE A SUPPORT AT THE TRACK ENDS.

SUPPORT THE LIVE-END PULLEY TO AN OVERHEAD STRUCTURE USING THE HOLE PROVIDED ON THE PULLEY.

SUPPORT MEDIA SHOULD BE CHAIN, THREADED ROD, STEEL OR WIRE CABLE. **NEVER USE ROPE.**

ONE-WAY OPERATING CURTAINS ARE INSTALLED IN THE SAME MANNER AS LISTED ABOVE WITH THE EXCEPTIONS THAT ONLY ONE MASTER CARRIER IS USED, THERE IS NO CENTER OVERLAP, AND ALL OF THE SINGLE CARRIERS ARE INSTALLED BEHIND THE SINGLE MASTER CARRIER.

II. CEILING MOUNTED INSTALLATIONS

NOTE: MODEL 260 FENSTEEL TRACK IS ASSEMBLED IN THE SAME MANNER AS DESCRIBED BELOW WITH THE EXCEPTION THAT THEI MODEL DOES NOT USE A TRACK OVERLAP. THE OVERLAP IS PROVIDED BY MASTER CARRIERS EQUIPPED WITH EXTENSION ARMS.

1. Lay the two track halves on the floor with the track slot facing down and with the amount of desired center overlap. If splicing is required, it should be done at this time.

Hanging clamps and lap clamps are not needed or provided for ceiling mounted track systems. The top of the track channel should be drilled every 18" for direct attachment to the ceiling structure.

2. See splicing instructions below.

Because ceiling mounted tracks do not provide the opportunity for vertical adjustment, it is very important that the ceiling structure be level. Any deviation can cause the space between the bottom of the curtain and the floor surface to be uneven. Shims or blocking may be required for this purpose.

2. Install the live-end and dead-end pulleys at the end of the tracks and secure with the hardware supplied.
3. Insert an equal amount of single carriers into each track section. The carriers can be inserted at the open track ends located at the center overlap. The master carriers are the last to be inserted. Install the eye-bolt end stops in the open track ends at the center overlap and secure with the hardware provided.

Model 171-R is supplied with rubber spacers that ride on the operating cord between each carrier. Be sure to incorporate them when cording the track.

4. Lift the track sections into place and secure to the overhead structure.
5. Thread one end of the wire-center cable through one wheel of the live-end pulley, through the body of the single carriers, through the first master carrier and its cord connectors making sure to locate the cord connectors on inside the cavity of the master carrier body. Continue threading the cable through the eye-bolt of the end stop and around the dead-end pulley, through the body of the single carriers located in the other half of track, through the second master carrier and its cord connectors. Be sure to locate the cord connector in the cavity of the master carrier body. Thread the cable through the second end stop, the remaining wheel of the live-end pulley and down to the curtain machine.
6. You should have two coils of cable, of approximately the same length emanating from the live end pulley of the track. At this point refer to ADC form # **745-A** for instructions on cord attachment to the grooved cable drum.

IMPORTANT SPLICING INFORMATION

I. SUSPENDED TRACK: Place splice clamps onto track and align holes in track with those in splicing clamps. Tighten clamps in place by means of the three 1/4" x 3/4" stove bolts. Align track by tightening the four 5/16" case hardened cap screws against the top of both track sections. Place twelve 5/16" x 1/4" 20 stove bolts through the sides of the splice clamps and tighten into position. Refer to drawing P-1724 for further assistance.

II. CEILING MOUNTED TRACK: Place splicing clamps on track and align holes in splicing clamps with factory drilled and tapped holes of the track channel. Insert twelve 1/4"-20 by 5/16"

long stove bolts through the holes in the side of the splice clamps and tighten securely into the tapped holes in the track channels. Refer to ADC drawing number 2624 for additional information.

**INSTALLATION INSTRUCTIONS FOR BESTEEL CURTAIN TRACKS
WALK-DRAW MODELS 173, 173-N & 173-R
CEILING MOUNTED TRACK**

1. PLACE THE 1700 TRACK CHANNELS AND CURVES (IF NEEDED) ON THE FLOOR, OR STABLE SUPPORT, FOR ASSEMBLY.

2. THE TOP OF THE TRACK MUST BE DRILLED EVERY 18" FOR DIRECT ATTACHMENT TO THE CEILING STRUCTURE. SHIMS OR BLOCKING MAY BE REQUIRED IF THE CEILING SURFACE IS UNEVEN.

3. IF THE TRACK LAY-OUT HAS CURVES, SPLICE THEM TO THE STRAIGHT SECTIONS OF TRACK. SPLICE THE REMAINING TRACK SECTIONS TOGETHER. MAKE SURE THAT THE ASSEMBLED SECTIONS ARE NOT TOO LARGE TO HANDLE. REFER TO **DRAWING NUMBER ISO-2624-96** AND THE NOTES BELOW FOR ADDITIONAL CEILING MOUNT SPLICE CLAMP INSTALLATION INSTRUCTIONS.

4. INSERT THE SINGLE AND MASTER CARRIERS FROM THE OPEN ENDS OF THE TRACK AND INSTALL THE END STOPS WITH THE HARDWARE PROVIDED. IF YOU HAVE A MODEL 173-R MODEL TRACK, MAKE SURE THAT THE RUBBER BUMPERS ARE INSTALLED ON THE CARRIERS. IF FINAL ASSEMBLY OF TRACK SECTIONS IS TO BE MADE WITH THE TRACK IN THE MOUNTED POSITION, WAIT UNTIL ASSEMBLY IS COMPLETE TO ADD CARRIERS AND END STOPS.

5. WITH THE CARRIERS AND END STOPS INSTALLED LIFT THE TRACK INTO POSITION AND SECURE TO CEILING STRUCTURE WITH APPROPRIATE HARDWARE.

6. IT MAY BE DESIRABLE TO ATTACH CHAINS BETWEEN CARRIERS, ESPECIALLY ON LONG TRACKS, OR ON TRACKS WITH HEAVY CURTAINS WHERE CURTAINS WILL BE PULLED FROM EITHER END. CHAINS WILL RELIEVE THE STRAIN ON THE TOP OF THE CURTAIN. IT IS OFTEN EASIER TO PUSH THE FOLDED CURTAIN AROUND CURVES RATHER THAN PULL THE CURTAIN FROM ONE END.

IMPORTANT SPLICING INFORMATION

PLACE SPLICING CLAMPS ON TRACK AND ALIGN HOLES IN SPLICING CLAMPS WITH HOLES THAT HAVE BEEN DRILLED AND TAPPED IN THE SIDES OF THE TRACK CHANNEL.

INSERT TWELVE 1/4-20 x 5/16" LONG STOVE BOLTS THROUGH THE HOLES IN THE SIDES OF THE SPLICE CLAMPS. TIGHTEN THEM SECURELY INTO THE TAPPED HOLES IN THE TRACK CHANNEL.

INSTALLATION INSTRUCTIONS
WALK-DRAW MODELS 173, 173-N & 173-R
SUSPENDED INSTALLATIONS

1. PLACE THE TRACK CHANNELS AND CURVES (IF USED) ON THE FLOOR, OR A STABLE SUPPORT FOR ASSEMBLY.
2. IF A CENTER OVERLAP IS DESIRED, OVERLAP THE TRACKS BY THE AMOUNT DESIRED AND ATTACH THE LAP CLAMPS (1707) TO THE TRACK BY INSERTING THE BOLT FROM BELOW, THROUGH THE HOLE IN THE TOP OF EACH CLAMP. INSTALL AND TIGHTEN THE NUTS ON TOP OF THE CLAMP TO THE BOLT TO LOCK THE CLAMPS IN PLACE.
3. IF THE TRACK LAY-OUT INCLUDES CURVES, SPLICE THEM TO THE STRAIGHT SECTIONS OF TRACK. SPLICE THE REMAINING TRACK SECTIONS TOGETHER. MAKE SURE THAT THE ASSEMBLED SECTIONS ARE NOT TOO LARGE TO HANDLE. REFER TO **DRAWING NUMBER A-2824-1724** FOR ADDITIONAL SPLICE CLAMP INSTALLATION INSTRUCTIONS. BE SURE TO ADJUST THE SET SCREWS OF THE SPLICE CLAMPS SUCH THAT THE SIDE, TOP AND BOTTOM SURFACES OF THE TWO JOINED TRACK CHANNELS ARE PROPERLY ALIGNED.
4. ATTACH HANGING CLAMPS (1708) A MAXIMUM OF EVERY 6' ALONG THE TRACK LENGTH AND AT EACH END OF THE TRACK CHANNELS. BE SURE TO SUPPORT THE CURVED SECTIONS OF TRACK FROM THE SPLICE CLAMPS. DO NOT ATTACH HANGING CLAMPS DIRECTLY TO THE CURVED SECTIONS OF TRACK.
5. INSERT THE SINGLE AND MASTER CARRIERS INTO THE TRACK SECTIONS AND INSTALL THE END STOPS AT THE OPEN ENDS WITH THE HARDWARE PROVIDED. IF YOU HAVE A MODEL 173-R MODEL TRACK, MAKE SURE THAT THE RUBBER BUMPERS ARE INSTALLED ON THE CARRIER.
6. WITH THE CARRIERS AND END STOPS INSTALLED LIFT THE TRACK INTO POSITION AND SECURE IT TO THE CEILING STRUCTURE WITH APPROPRIATE HARDWARE.
7. IT MAY BE DESIRABLE TO ATTACH CHAINS BETWEEN CARRIERS, ESPECIALLY ON LONG TRACKS, OR ON TRACKS WITH HEAVY CURTAINS WHERE CURTAINS WILL BE PULLED FROM EITHER END. CHAINS WILL RELIEVE THE STRAIN ON THE TOP OF THE CURTAIN FABRIC. IT IS OFTEN EASIER TO PUSH THE FOLDED CURTAIN AROUND CURVES RATHER THAN PULL THE CURTAIN AROUND THE CURVE FROM ONE END OF THE CURTAIN.

IMPORTANT SUSPENDED TRACK INFORMATION

NEVER USE LESS THAN FIVE (5) LINES TO SUSPEND ANY TRACK SYSTEM.

ALWAYS ATTACH HANGING CLAMPS AND USE SUPPORT LINES TO THE ENDS OF THE TRACK SECTIONS.

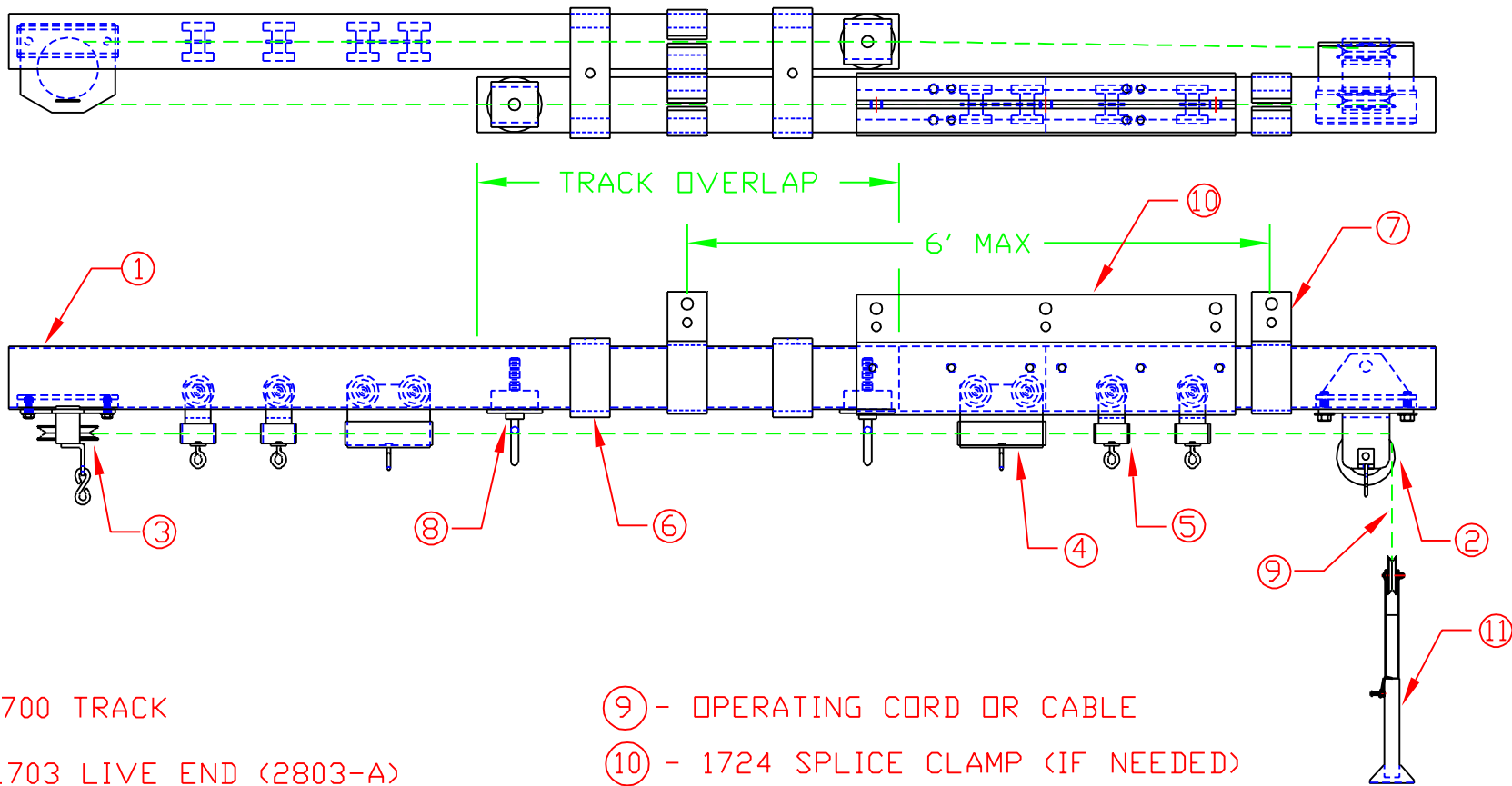
FIRMLY ANCHOR END STOPS AT EACH END OF THE TRACK CHANNELS.

PIPE BATTENS CAN BE USED TO PROVIDE ADDITIONAL SUPPORT TO SUSPENDED TRACK SYSTEM. PIPE CLAMP ARE AVAILABLE FOR ATTACHMENT OF HANGING CLAMPS TO COMMON SIZE PIPE BATTENS.

IF POSSIBLE, ADD HANGING CLAMPS IMMEDIATELY ALONGSIDE OF SPICE CLAMPS. THESE WILL AID IN MAINTAINING CORRECT TRACK ALIGNMENT AT THE SPLICE.

WHEN PROPERLY SUPPORTED, A SUSPENDED TRACK WILL NOT SWAY A GREAT DEAL DURING CURTAIN OPERATION.

A CHAIN, POSITIONING POLE, OR OTHER POSITIONING DEVICE CAN BE ATTACHED TO THE MASTER CARRIER(S) TO AID IN CURTAIN OPERATION.

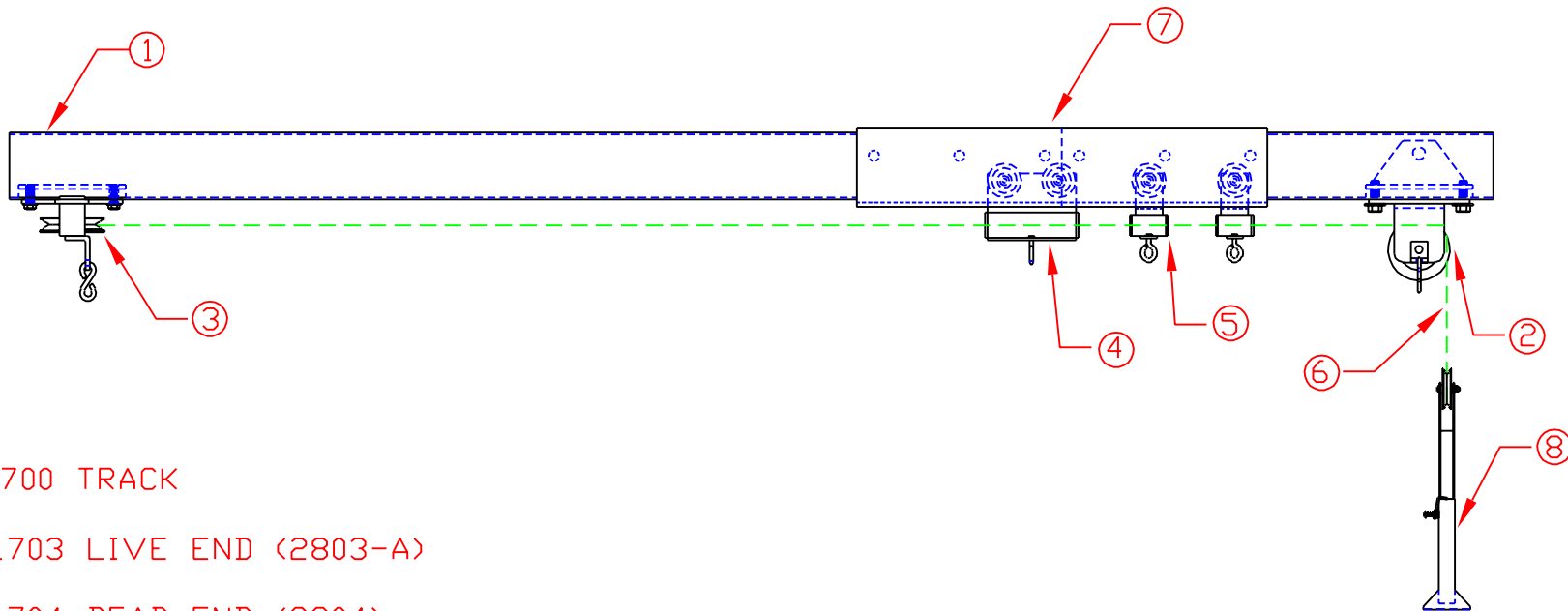
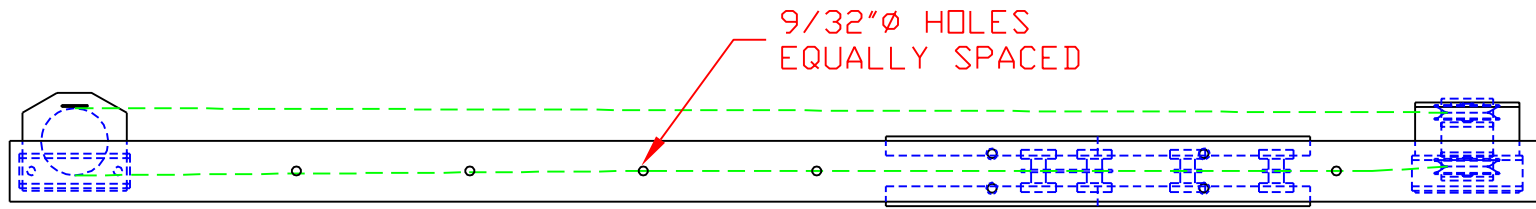


- ① - 1700 TRACK
- ② - 1703 LIVE END (2803-A)
- ③ - 1704 DEAD END (2804)
- ④ - 1702 MASTER CARRIER (1738,1750)
- ⑤ - 1701 SINGLE CARRIER (1737,1749)
- ⑥ - 1707 LAP CLAMP
- ⑦ - 1708 HANGING CLAMP
- ⑧ - 1709 END STOP

- ⑨ - OPERATING CORD OR CABLE
- ⑩ - 1724 SPLICE CLAMP (IF NEEDED)
- ⑪ - 2865 FLOOR PULLEY (2805,2866,2866A)

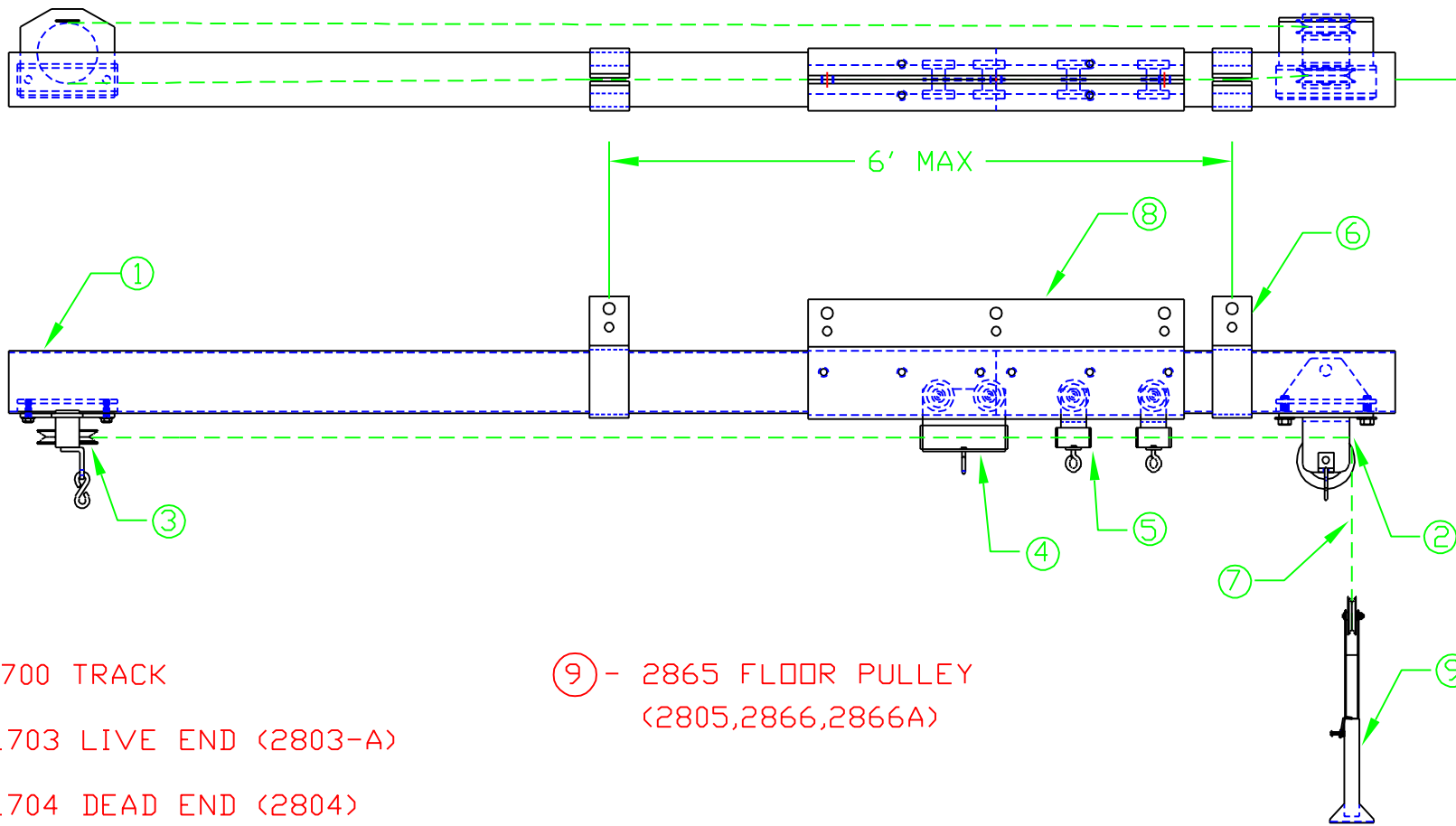
(* ,*) DENOTES ALTERNATIVE COMPONENTS

AUTOMATIC DEVICES COMPANY 2121 S. 12TH ST. ALLENTOWN, PA 18103			
THIS DRAWING HAS BEEN PREPARED AS A SERVICE TO OUR CUSTOMER AND IS INTENDED ONLY TO BE SUGGESTIVE IN NATURE AND IS NOT TO BE USED AS AN ACTUAL INSTALLATION DRAWING. PREVAILING JOB CONDITIONS AND ACCEPTED PRACTICES MUST BE TAKEN INTO ACCOUNT WHEN THE EQUIPMENT IS INSTALLED.			
SIZE	DATE	INSTALLATION	REV
A	01/22/98	INSTRUCTIONS	
DRAWN BY	APPROVED BY	DESCRIPTION 170 BI-PARTING	
GAR		SUSPENDED SYSTEM	
SCALE NTS	SHEET 1 OF 1	DWG NO. II-170BPS-98	



- ① - 1700 TRACK
 - ② - 1703 LIVE END (2803-A)
 - ③ - 1704 DEAD END (2804)
 - ④ - 1702 MASTER CARRIER (1738,1750)
 - ⑤ - 1701 SINGLE CARRIER (1737,1749)
 - ⑥ - OPERATING CORD OR CABLE
 - ⑦ - 2624 SPLICE CLAMP (IF NEEDED)
 - ⑧ - 2865 FLOOR PULLEY (2805,2866,2866A)
- (* ,*) DENOTES ALTERNATIVE COMPONENTS

AUTOMATIC DEVICES COMPANY 2121 S. 12TH ST. ALLENTOWN, PA 18103			
THIS DRAWING HAS BEEN PREPARED AS A SERVICE TO OUR CUSTOMER AND IS INTENDED ONLY TO BE SUGGESTIVE IN NATURE AND IS NOT TO BE USED AS AN ACTUAL INSTALLATION DRAWING. PREVAILING JOB CONDITIONS AND ACCEPTED PRACTICES MUST BE TAKEN INTO ACCOUNT WHEN THE EQUIPMENT IS INSTALLED.			
SIZE	DATE	INSTALLATION	REV
A	06/01/98	INSTRUCTIONS	
DRAWN BY	APPROVED BY	DESCRIPTION	
GAR		1700 TRACK LEG ASSEMBLY-CEILING MOUNTED	
SCALE	SHEET	DWG NO.	
NTS	1 OF 1	II-170CL-98	

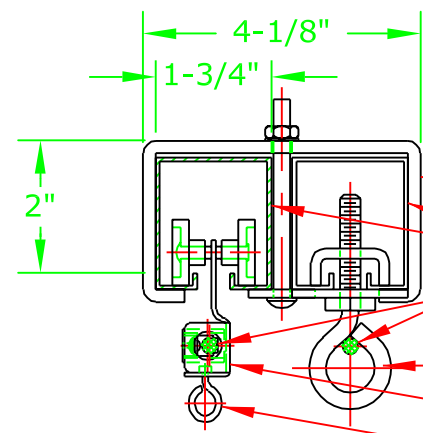
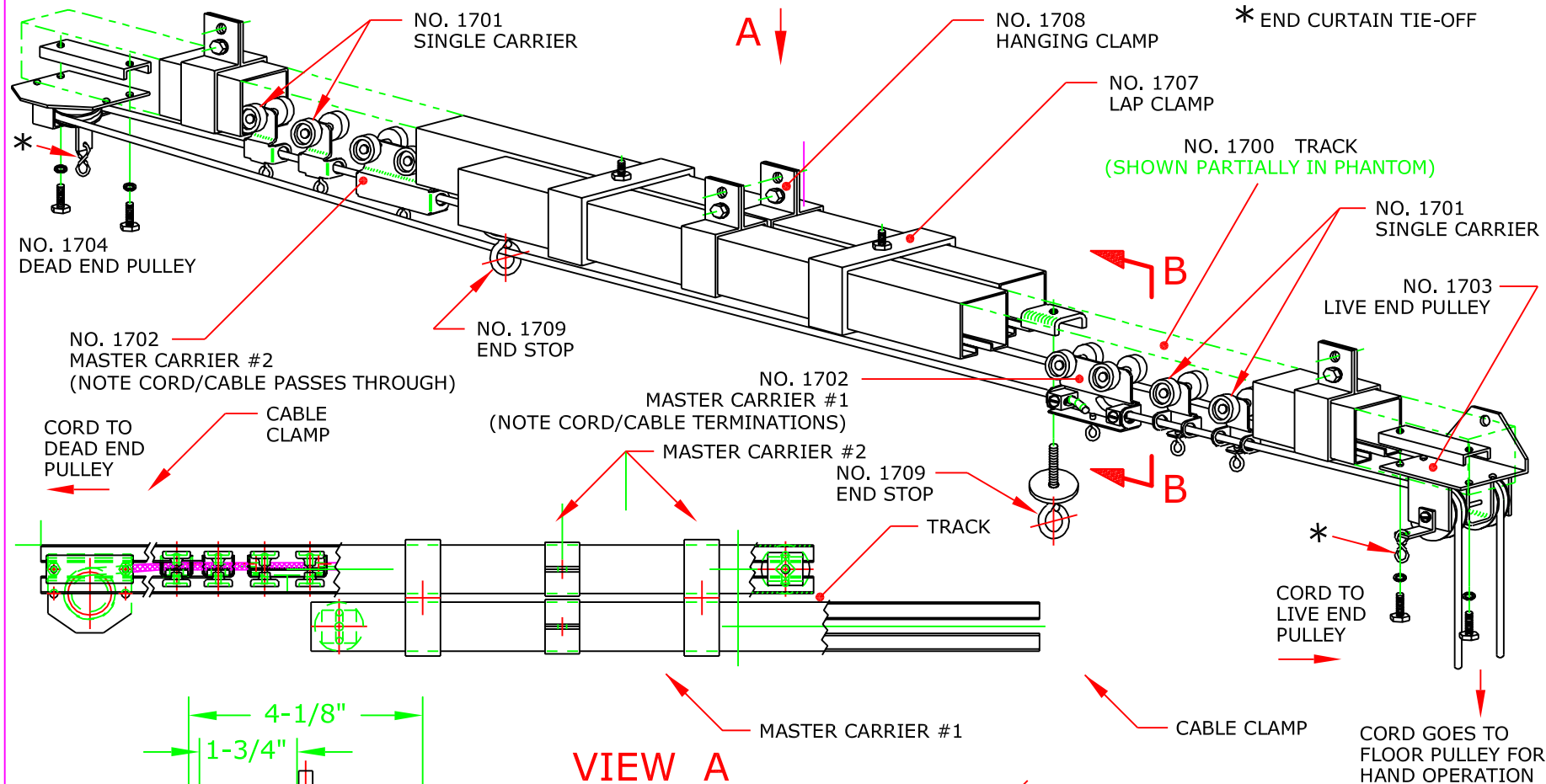


- ① - 1700 TRACK
- ② - 1703 LIVE END (2803-A)
- ③ - 1704 DEAD END (2804)
- ④ - 1702 MASTER CARRIER (1738,1750)
- ⑤ - 1701 SINGLE CARRIER (1737,1749)
- ⑥ - 1708 HANGING CLAMP
- ⑦ - OPERATING CORD OR CABLE
- ⑧ - 1724 SPLICE CLAMP (IF NEEDED)

- ⑨ - 2865 FLOOR PULLEY (2805,2866,2866A)

(* ,*) DENOTES ALTERNATIVE COMPONENTS

AUTOMATIC DEVICES COMPANY 2121 S. 12TH ST. ALLENTOWN, PA 18103			
THIS DRAWING HAS BEEN PREPARED AS A SERVICE TO OUR CUSTOMER AND IS INTENDED ONLY TO BE SUGGESTIVE IN NATURE AND IS NOT TO BE USED AS AN ACTUAL INSTALLATION DRAWING. PREVAILING JOB CONDITIONS AND ACCEPTED PRACTICES MUST BE TAKEN INTO ACCOUNT WHEN THE EQUIPMENT IS INSTALLED.			
SIZE	DATE	INSTALLATION INSTRUCTIONS	REV
A	05/29/98		
DRAWN BY	APPROVED BY	DESCRIPTION 1700 TRACK ASSEMBLY	
GAR			
SCALE NTS	SHEET 1 OF 1	DWG NO. II-170SL-98	



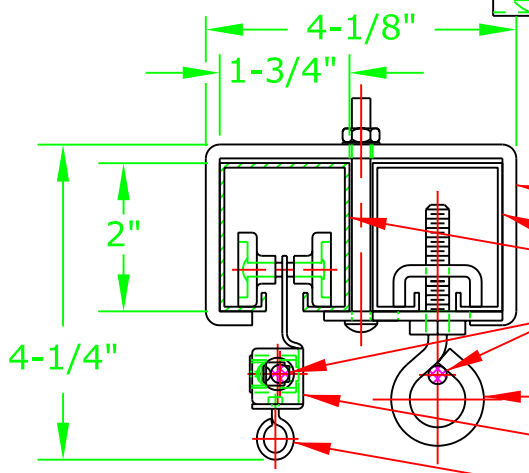
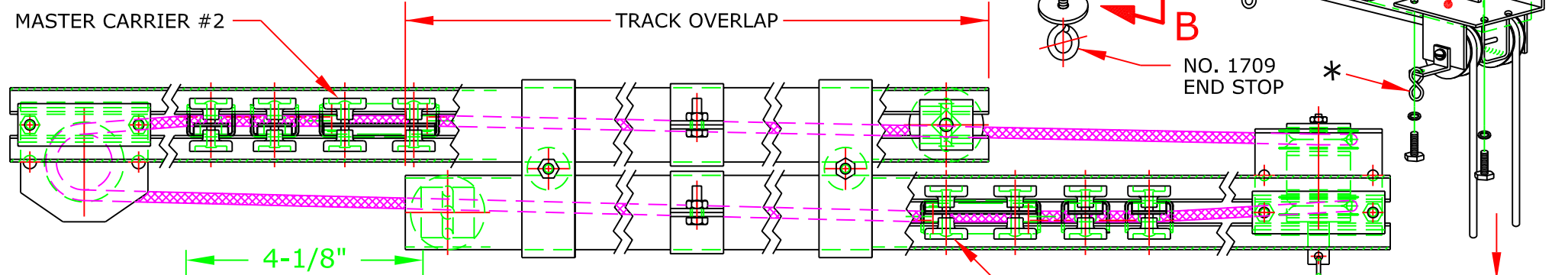
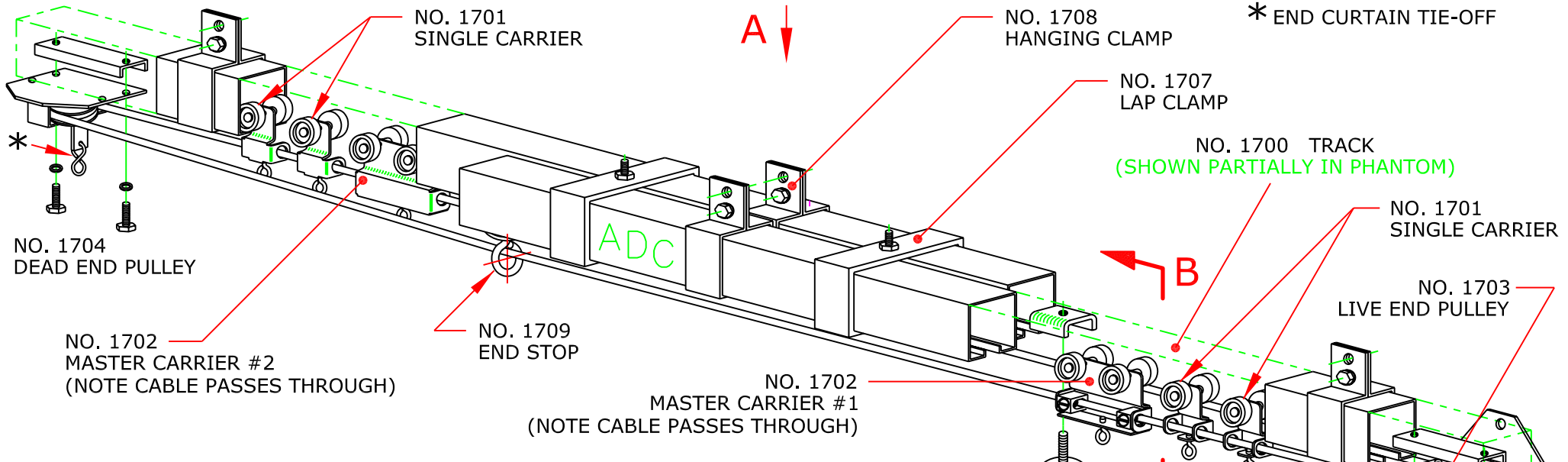
SECTION B-B
SCALE: 3/8=1

VIEW A
TOP VIEW (ENLARGED)

adco AUTOMATIC DEVICES COMPANY
2121 S. 12TH ST. ALLENTOWN, PA 18103

THIS DRAWING HAS BEEN PREPARED AS A SERVICE TO OUR CUSTOMER AND IS INTENDED ONLY TO BE SUGGESTIVE IN NATURE AND IS NOT TO BE USED AS AN ACTUAL INSTALLATION DRAWING. PREVAILING JOB CONDITIONS AND ACCEPTED PRACTICES MUST BE TAKEN INTO ACCOUNT WHEN THE EQUIPMENT IS INSTALLED.

SIZE	DATE	SERIES	MODEL 170
A	6/19/04		BESTEEL CURTAIN TRACK
DRAWN BY	APPROVED BY	DESCRIPTION	INSTALLATION DRAWING
JEK			BI-PART OPERATION
SCALE	SHEET	DWG NO.	
3/16=1	1 OF 1	II-170BI-1-04	



SECTION B-B

SCALE: 3/8=1

VIEW A
TOP VIEW (ENLARGED)

- NO. 1707 LAP CLAMP
- NO. 1700 TRACK
- NO. 3529 CABLE
- NO. 1709 END STOP
- NO. 1702 MASTER CARRIER #1
- SWIVEL EYE TO ATTACH CURTAIN

adc AUTOMATIC DEVICES COMPANY
2121 S. 12TH ST. ALLENTOWN, PA 18103

THIS DRAWING HAS BEEN PREPARED AS A SERVICE TO OUR CUSTOMER AND IS INTENDED ONLY TO BE SUGGESTIVE IN NATURE AND IS NOT TO BE USED AS AN ACTUAL INSTALLATION DRAWING. PREVAILING JOB CONDITIONS AND ACCEPTED PRACTICES MUST BE TAKEN INTO ACCOUNT WHEN THE EQUIPMENT IS INSTALLED.

SIZE A	DATE 6/22/04	SERIES MODEL 170 BESTEEL CURTAIN TRACK
DRAWN BY JEK	APPROVED BY	DESCRIPTION INSTALLATION DRAWING BI-PART OPERATION (MACHINE)

HARDWARE REQUIRED:

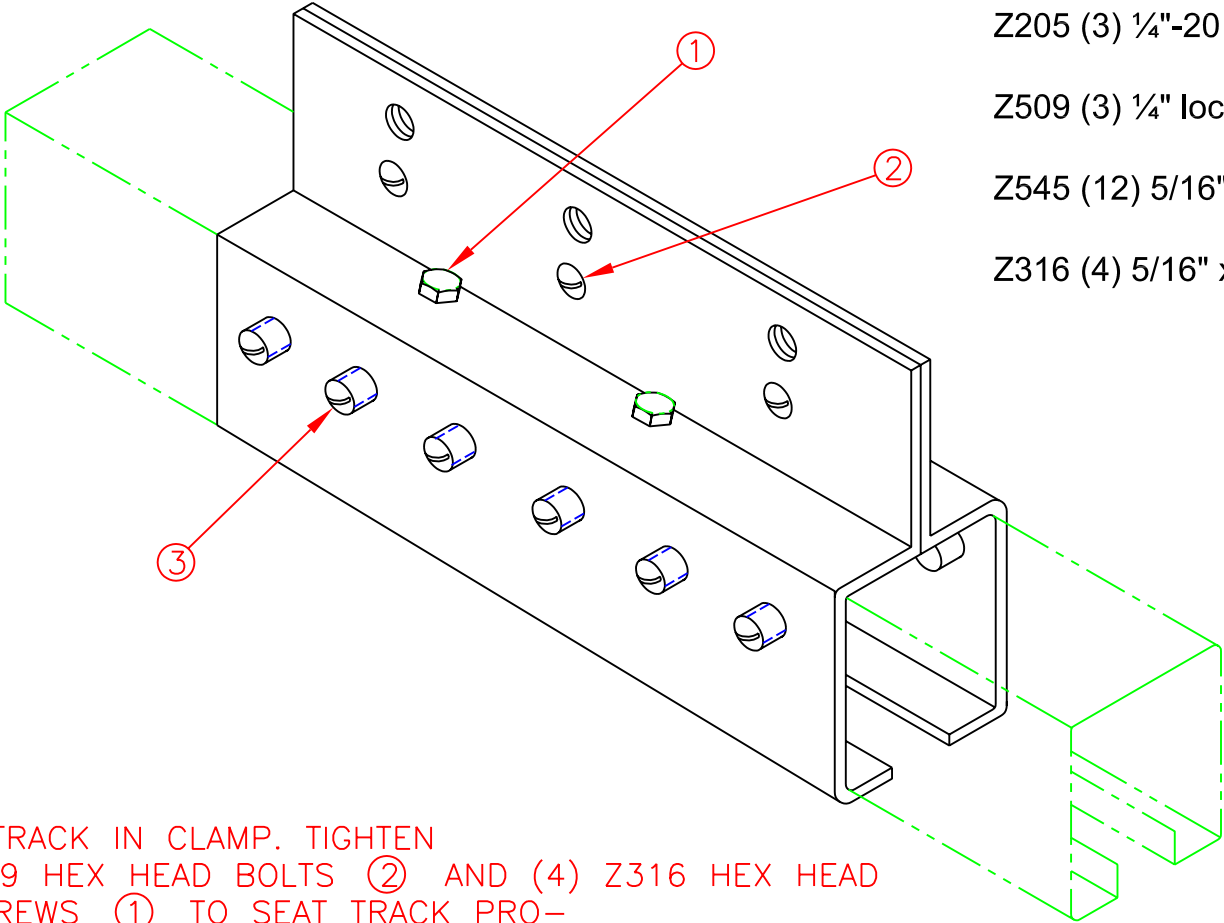
Z029 (3) 1/4"-20 x 3/4" hex head bolts

Z205 (3) 1/4"-20 nuts

Z509 (3) 1/4" lockwashers

Z545 (12) 5/16" x 5/16" slotted set screws

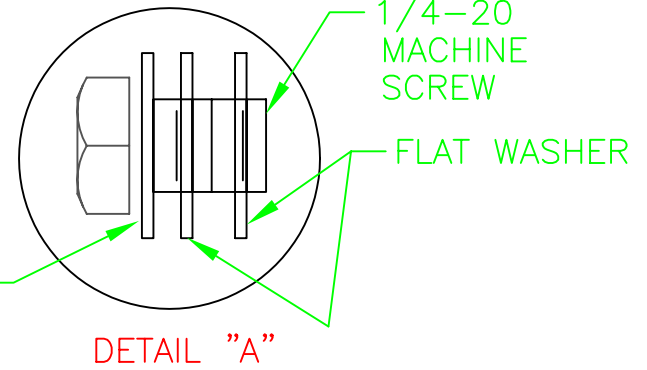
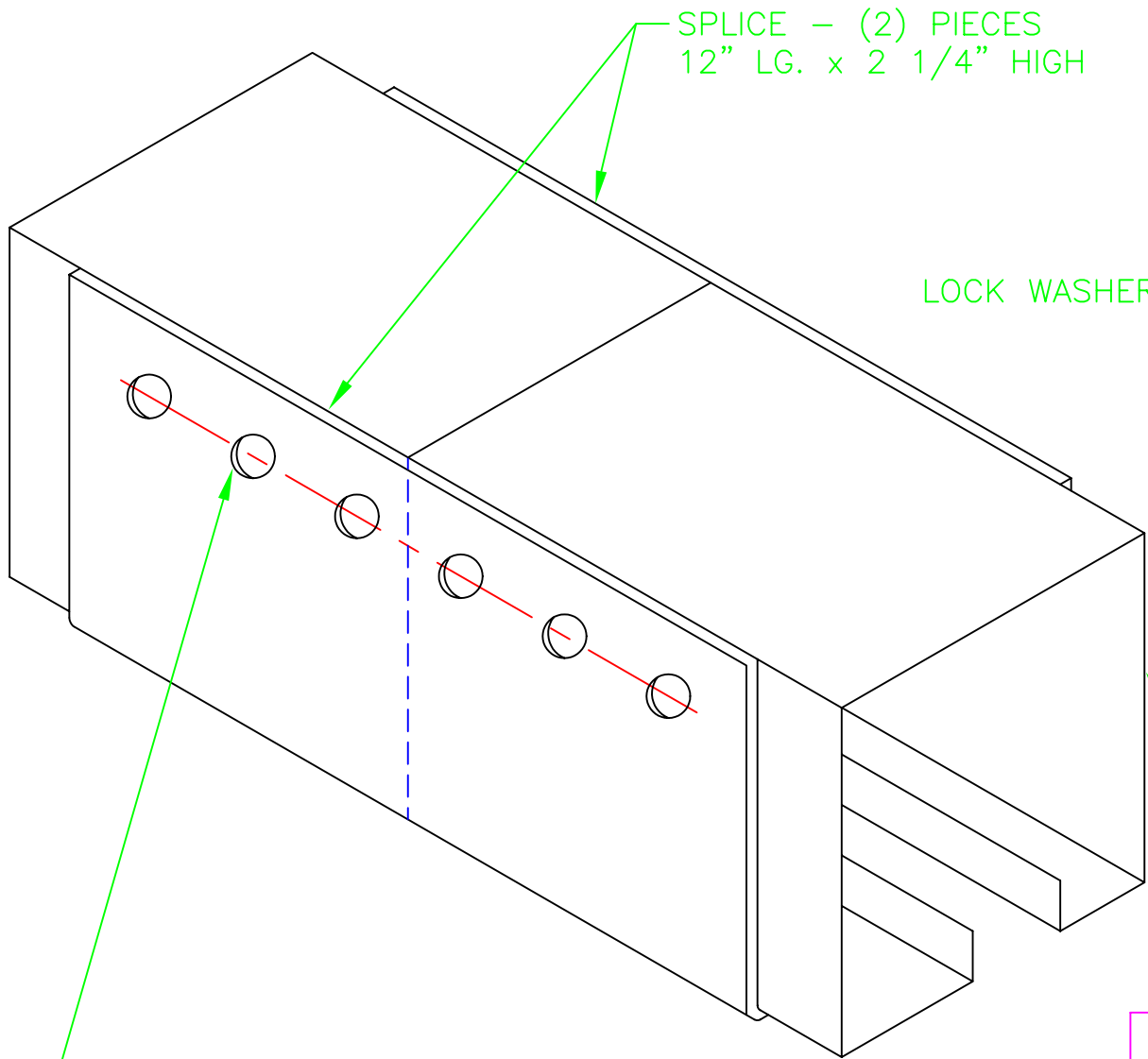
Z316 (4) 5/16" x 1/2" hex head bolts



NOTE: PLACE TRACK IN CLAMP. TIGHTEN (3) Z029 HEX HEAD BOLTS (2) AND (4) Z316 HEX HEAD CAP SCREWS (1) TO SEAT TRACK PROPERLY IN SPLICE, THEN TIGHTEN (12) SET SCREWS (3) Z545 TO ALIGN TRACK WALLS.

DO NOT OVERTIGHTEN SCREWS

AUTOMATIC DEVICES COMPANY 2121 S. 12TH ST. ALLENTOWN, PA 18103			
THIS DRAWING HAS BEEN PREPARED AS A SERVICE TO OUR CUSTOMER AND IS INTENDED ONLY TO BE SUGGESTIVE IN NATURE AND IS NOT TO BE USED AS AN ACTUAL INSTALLATION DRAWING. PREVAILING JOB CONDITIONS AND ACCEPTED PRACTICES MUST BE TAKEN INTO ACCOUNT WHEN THE EQUIPMENT IS INSTALLED.			
SIZE	DATE	FORM	REV
A	05/18/93	417	
DRAWN BY	APPROVED BY	DESCRIPTION	
DCH		1724 & 2824 SPLICE CLAMP	
SCALE	SHEET	DWG NO.	
NONE	1 OF 1	A2824-1724-93	



HARWARE:

Z509 (12) 1/4" lockwasher

Z503 (24) 1/4" flatwasher

Z352 (12) 1/4 -20 X 1/4 round head bolt

TRACK CHANNEL

NOTE: DRILL (6) HOLES IN EACH SIDE OF THE TRACK WITH #7 DRILL USING SPLICE AS A HOLE LOCATION TEMPLATE. THEN TAP HOLES WITH 1/4-20 TAP. TO BE FASTENED WITH 1/4-20 MACHINE SCREWS 5/16" LONG, 1-LOCK WASHER, AND 2 FLAT WASHERS AS SHOWN IN DETAIL "A". MAKE SURE TRACKS ARE PROPERLY ALIGNED.

AUTOMATIC DEVICES COMPANY
2121 S. 12TH ST. ALLENTOWN, PA 18103

THIS DRAWING HAS BEEN PREPARED AS A SERVICE TO OUR CUSTOMER AND IS INTENDED ONLY TO BE SUGGESTIVE IN NATURE AND IS NOT TO BE USED AS AN ACTUAL INSTALLATION DRAWING. PREVAILING JOB CONDITIONS AND ACCEPTED PRACTICES MUST BE TAKEN INTO ACCOUNT WHEN THE EQUIPMENT IS INSTALLED.

SIZE	DATE		REV
A	12/11/96		
DRAWN BY	APPROVED BY	DESCRIPTION	
GAR		SPLICING CLAMP (2) PIECE 11 GAUGE STL.	
SCALE	SHEET	DWG NO.	
NONE	1 OF 1	ISO-2624-96	